

# MI-3611 Far-Field System - Single-Axis / Power Meter

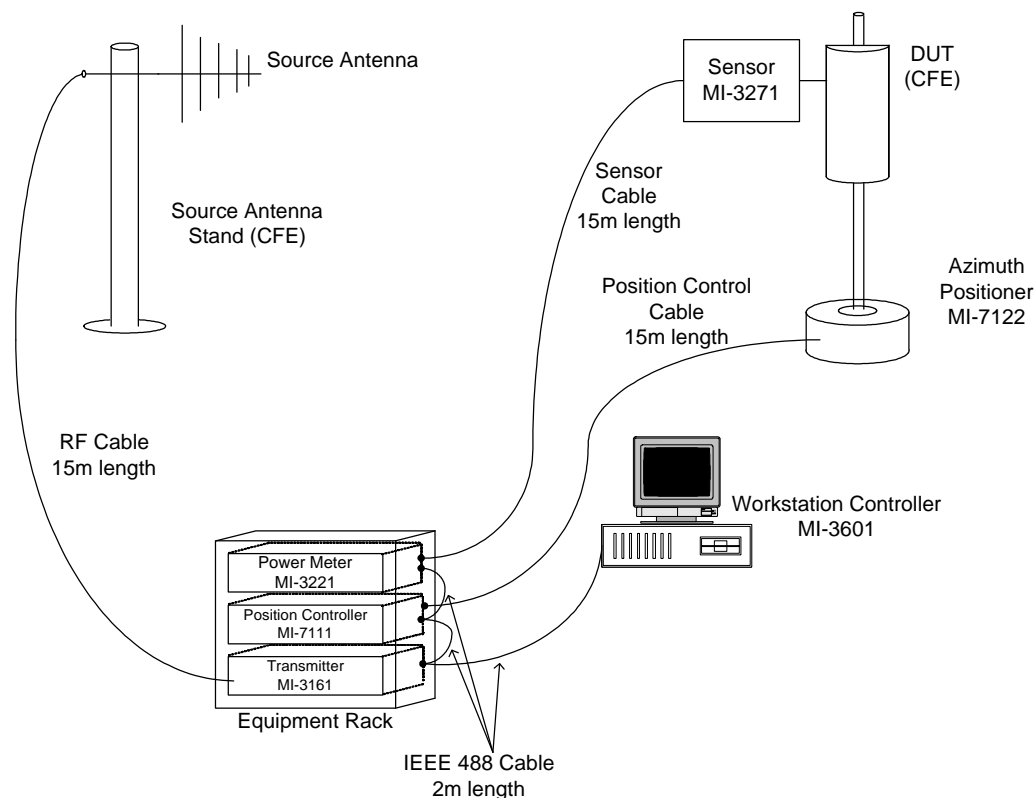
## Key Features & Benefits

**Two Bands within 500 MHz to 2.5 GHz**

- Rapid, accurate measurements over any two bands within the 500 MHz to 2.5 GHz frequency range provide flexibility and wide coverage.
- Automated pattern measurements with flexible yet basic single-axis DUT positioner offer an economical control solution.
- Power meter presents the most economical receiver configuration.
- Pattern plotting in polar or rectangular format for single or multiple patterns offers the ultimate in flexible data presentation.
- Extensive analysis software is built-in to simplify pattern evaluation.
- Network connection provides means to easily download data for offline analysis.

## Description

The MI-3611 is the lowest priced, single-axis far-field measurement system in the MI-3600 family designed for the Wireless market. Assembled to meet the needs of the most demanding Test and Measurement environments, the MI-3611 is a complete instrumentation system consisting of a workstation computer and software, azimuth positioner for rotating the Device-Under-Test (DUT), position controller, receiver, transmitter, and broadband linearly polarized log periodic source antenna. The distinguishing elements of the MI-3611 are the power meter receiver, narrow band synthesizer transmitter, and single-axis DUT positioner. The system provides superior ease of use that includes setup, test parameter provisioning, data acquisition, and data analysis. Using the workstation controller, an operator can select the transmit frequency from one of two narrow band synthesized signal sources and record the received signal from the broadband, highly accurate power meter receiver. Various options include standard gain antennas for calibration, masts for source antenna and DUT positioner, longer signal and control cables and absorber.



## MI-3611 Specifications

### System Workstation:

- MI-3601 software and computer with monitor, keyboard, mouse, color printer, ethernet card, IEEE card
- Antenna measurement, analysis and plotting software
  - ▲ Automatic calculation of beam width, beam peak, location and depth of nulls, location and level of side-lobes, and gain
  - ▲ Polar or rectangular format plots

### Signal Source:

- MI-3161 Narrow Band Synthesizer
- Two bands may be selected from the following: 500 to 800 MHz; 800 to 1,200 MHz; 1,000 to 1,500 MHz; 1,500 to 2,000 MHz; and 2,000 to 2,500 MHz
- Power: 10 dBm max

### Receiver:

- MI-3221 Power Meter with sensor
  - ▲ Input power: -70 to +30 dBm
  - \* RF filtering of the receiver may be required, depending on your application.

### Positioner:

- MI-7122 Azimuth Positioner
  - ▲ Diameter: 0.8 meter (31.5 inches)
  - ▲ Vertical load handling: 75 kg (165 lbs)
  - ▲ Speed: 0.3 to 3 rpm
  - ▲ Rotation:  $\pm 200$  degrees
  - ▲ Angular accuracy: 0.5 degrees

### Position Controller:

- MI-7111 single axis, IEEE 488 based

### Source Antenna:

- Linearly polarized, log periodic

### Cables:

- Cables are provided to support equipment separation up to 15 meters.

### Options:

- Standard gain antennas are available.
- Contact factory for alternate configurations.



MI-3221 Power Meter with Sensor