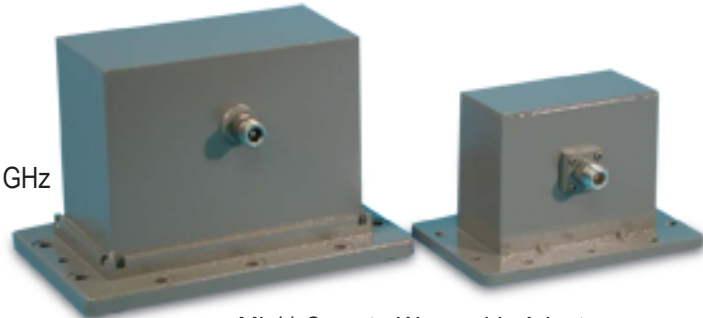


MI-11 Family of Coax to Waveguide Adapters

Features

- Ideal for use with MI Technologies standard gain horns and feeds
- Provides a convenient transition between waveguide and coax
- Standard products cover waveguide bandwidths from 350 MHz to 40 GHz
- Higher frequency options available

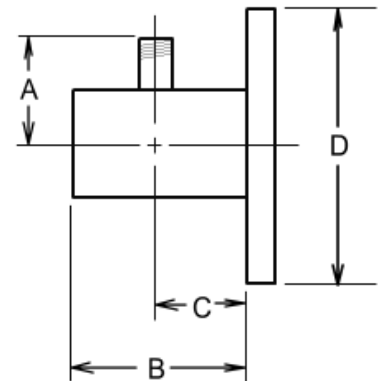


MI-11 Coax-to-Waveguide Adapters

Description

MI Technologies' MI-11 Family of Coax-to-Waveguide Adapters offers a convenient transition between waveguide and coaxial transmission lines. Coverage from 350 MHz to 40 GHz is available in commonly used waveguide bands. Contact MI Technologies for information on the availability of additional waveguide adaptors.

Each unit has a waveguide cover flange interface and a connector. All flange interfaces are compatible with MI Technologies' family of MI-12 Standard Gain Horns, MI-23 and MI-30 feeds and other probes and feeds.



Specifications

Model No.	Freq. Range (GHz)	Flange Type (or equiv.)	Max VWSR	Waveguide (internal dia-inches)	Dimensions (inches)				Weight (lbs)		Connector
					A	B	C	D	Net	Ship	
11-0.4	0.35 to 0.53	¹	1.5:1	21.00 x 10.50	6.32	13.75	5.31	14.32 x 24.64	20	25	N(F)
11-0.5	0.49 to 0.75	¹	1.5:1	15.00 x 7.50	4.82	11.04	5.25	11.00 x 18.50	16	20	N(F)
11-0.75	0.75 to 1.12	¹	1.5:1	9.75 x 4.88	3.45	8.62	5.38	8.38 x 13.25	8.5	10	N(F)
11-0.9	0.96 to 1.45	¹	1.5:1	7.70 x 3.85	2.94	6.22	3.66	7.43 x 11.25	4.75	7	N(F)
11-1.1	1.12 to 1.70	UG-418B/U	1.5:1	6.50 x 3.25	2.63	5.50	3.06	5.54 x 8.69	2.75	5	N(F)
11-1.7	1.70 to 2.60	UG-437B/U	1.25:1	4.30 x 2.15	2.08	3.62	2.10	4.18 x 6.34	1.5	4	N(F)
11A-2.6	2.60 to 3.95	UG-53/U	1.25:1	2.84 x 1.34	1.88	3.0	2.05	5.31 dia.	2.3	4	N(F)
11A-3.9	3.95 to 5.85	UG-149A/U	1.25:1	1.87 x 0.87	1.63	2.0	1.30	3.62 dia.	0.75	3	N(F)
11A-5.8	5.85 to 8.20	UG-344	1.25:1	1.37 x 0.62	1.50	1.75	1.05	3.12 dia.	0.5	2	N(F)
11A-8.2	8.20 to 12.40	UG-39/U	1.25:1	0.90 x 0.40	1.38	1.5	1.05	1.62 x 1.62	0.5	2	N(F)
11-12.4	12.4 to 18	UG-419/U	1.5:1	0.622 x 0.311	1.37	1.7	1.05	1.31 x 1.31	0.5	2	K(F)
11-18	18 to 26.5	UG-595/U	1.25:1	0.420 x 0.170	1.13	0.75	0.90	0.88 x 0.88	0.1	1	K(F)
11-26	26.5 to 40.0	UG-599/U	1.25:1	0.280 x 0.140	1.24	0.96	0.75	0.75 x 0.75	0.1	1	K(F)

¹Does not have preferred military designation, but is compatible with mating Series MI-12 Standard Gain Horn.

Specifications subject to change without notice.

