

Series 22 Parabolic Reflectors

Features

- Our parabolic reflectors have a wide variety of uses
- Each offers high gain and broad frequency coverage

Description

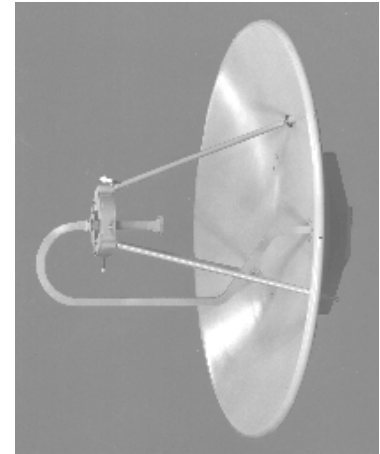
Series 22 Parabolic Reflectors feature optimum side-lobe bandwidth characteristics, high gain, and waveguide band frequency coverage when used with a variety of interchangeable feeds.

Series 22 Reflectors are available in sizes from one to ten feet in diameter and include feed support hardware and an interface mounting fixture. The feed support system can be used with different MI Technologies feeds, thus extending the flexibility of each reflector.

Four-foot diameter and larger reflectors include two transmission lines to the feed support assembly for use with Series 28 dual polarized feeds. When used with single polarized feeds the additional transmission line may be removed.

Weights for specific feeds can be found in the specification section.

Electrical alignment and focusing (with data supplied) can be furnished at additional cost. Contact the factory for additional information.



5584

Specifications

Dimensions ¹	22A-1	22A-2	22-4A	22-6B	22-8B	22-10A	Tol
A	7.062	7.062	7.062	7.062	7.062	7.062	±0.005
B	N/A	N/A	N/A	N/A	12.000	12.000	±0.005
C (hole dia)	0.437	0.437	0.437	0.437	0.437	0.437	±0.015
D	N/A	N/A	N/A	N/A	0.562	0.562	±0.015
E	10.00	10.00	8.00	9.75	18.50	18.50	±0.015
F (focal length)	4.5	9.0	18.00	28.8	35.25	35.8	
G (ref)	9.00	11.50	12.25	17.50	25.50	31.75	±0.25
H (ref)	6.75	7.50	3.75	5.00	9.10	9.25	±0.10
I (ref)	18.00	27.50	36.0	47.0	N/A	N/A	±0.50
J (ref)	N/A	21.30	29.50	40.50	56.5	57.25	±0.25
K (ref)	3.5	4.60	6.25	6.00	10.75	10.75	±0.25
L	14.0	26.75	N/A	N/A	N/A	N/A	±0.25
M	13.0 ±0.12	25.5 ±0.12	50.25 ±0.12	73.25 ±0.25	96.0 ±0.50	123.5 ±0.50	

¹ Dimensions refer to the illustrations on page 68. All dimensions are in inches, except as noted.

Products - Antennas and Components

Series 22 Parabolic Reflectors - continued

Dimension	22A-1	22A-2	22-4A	22-6B	22-8B	22-10A
Diameter ft (m)	1 (0.3)	2 (0.6)	4 (1.2)	6 (1.8)	8 (2.4)	10 (3)
F/Diam.	0.375	0.375	0.375	0.400	0.373	0.298
Net Wt. lbs (kg)	8 (3.6)	12 (5.45)	46 (20.9)	80 (36.4)	175 (79.5)	235 (106.8)
Ship Wt. lbs (kg)	30 (13.6)	85 (38.6)	200 (90.9)	350 (159)	500 (227)	1,000 (454.5)
Ship Vol. cu. ft (cu. m)	8 (0.23)	27 (0.76)	81.2 (2.3)	275 (7.8)	368 (10.4)	620 (17.5)
Wind Load 50 mph lbs (kg)	10 (4)	39 (18)	156 (71)	351 (160)	625 (284)	977 (444)

Ordering Information

When ordering a Model 22-xx Parabolic Reflector, please make note of the recommended feed (see compatibility table below) for your particular choice to ensure proper performance. Each reflector includes the feed support hardware and the interface mounting fixture for the feeds listed in the compatibility table in this section.

Feed Application Compatibility

Reflector	Tripod Assembly	23-() Feed	27-() Feed	28-(), 28()C Feeds	30-() Feed
22-10A	Tripod 2 Coax	1.7/8/10 2.6/8/10	0.4/10	0.5/10 1.0/8/10 2.0/8/10	N/A
22-8B	Tripod 2 Coax	1.7/8/10 2.6/8/10 3.9/8 5.8/8	1.0/8 4.0/8	1.0/8/10 2.0/8/10 4.0/8	N/A
22-6B	Tripod 2 Coax	2.6/4/6 3.9/4/6 5.8/4/6 8.2/6	1.0/6 4.0/4/6	4.0/4/6 8.0/4/6 ¹	N/A
22-4A	Tripod 2 Coax	2.6/4/6 3.9/4/6 5.8/4/6 8.2/4 12/4	4.0/4/6	4.0/4/6 8.0/4/6 ¹ 12.4/4 ¹	8/4
22A-2	Tripod	A-8.2/2 A-12/2	N/A	N/A	8/2 12/2 A-18/2 A-26/2
22A-1	Button hook	A-12/1 A-18/1 A-26/1	N/A	N/A	12/1 18/1 A-26/1

N/A - Not available for this size reflector.

¹28 Version Only - 28C Not Available.

Options

Not Applicable

Accessories

Series 23 Waveguide Bandwidth Feeds

Series 27 Broadband Feeds

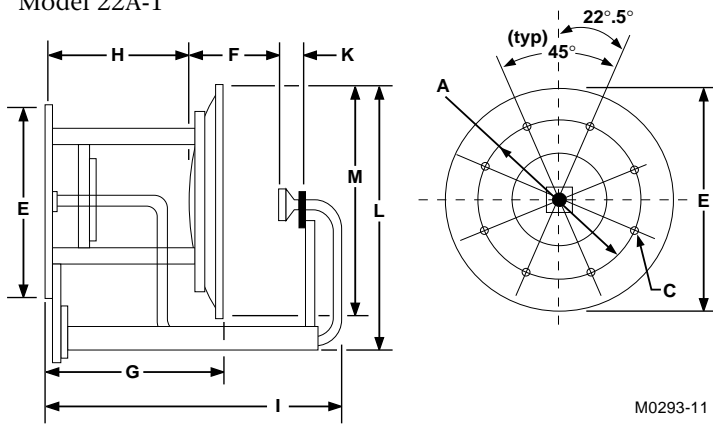
Series 28 Broadband Dual-Polarized Feeds

Series 30 Antenna Feeds

Products - Antennas and Components

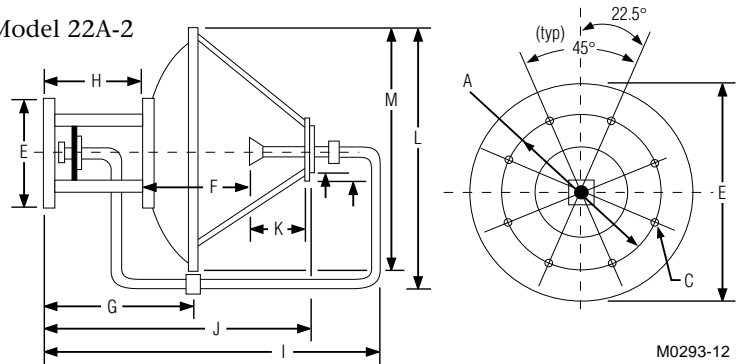
Series 22 Parabolic Reflectors - continued

Model 22A-1



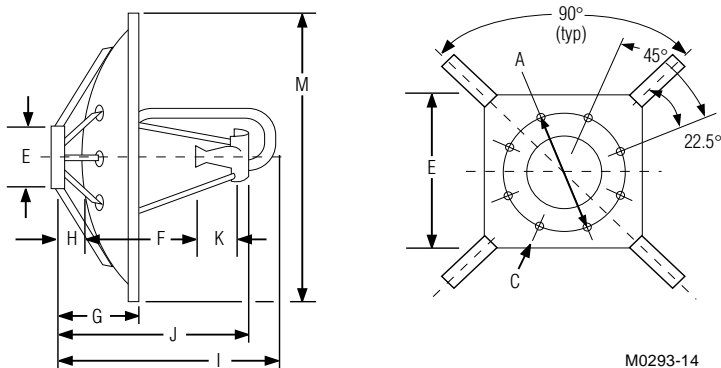
M0293-11

Model 22A-2



M0293-12

Model 22-4A, 22-6B

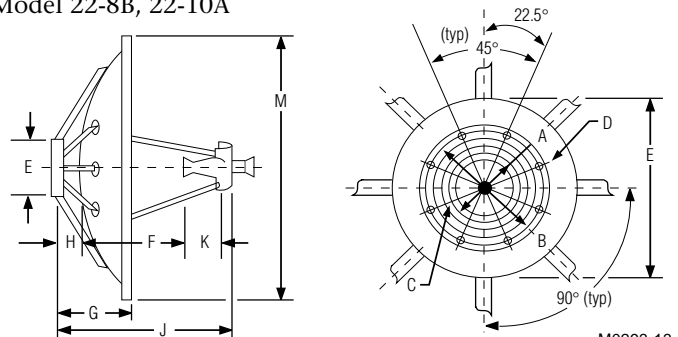


M0293-14

Refer to table in specifications section for Series 22 dimensions

Feed and buttonhooks shown for illustrative purposes only.

Model 22-8B, 22-10A



M0293-13